

- EN COMPRESSOR NEBULIZER LD. Instruction Manual.
PL INHALATOR KOMPRESOROWY LD. Instrukcja obsługi.
HU KOMPRESSZOROS INHALÁTOR LD SZOROZAT. Használati útmutató.
FR APPARET DE AÉROSOLIS CU COMPRESOR LD. Manuel de instruction.
RO КОМПРЕСОРЕН ИНХАЛАТОР LD. Ръководство за експлоатация.

fig.1 rys. 1. I. abra fig. 1 рис. 1
PARTS AND COMPONENTS DENUMIREA PARTILOR SI COMPONENTELOR
ПОДСТАВОВЕ ЧАСТИ И КОМПОНЕНТЫ НАЗВАНИЯ НА ЧАСТИ И КОМПОНЕНТЫ
ALKATRÉSZEK MEGNEVEZÉSE

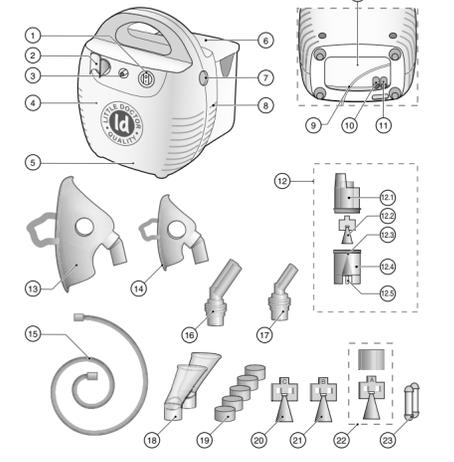


fig.2 rys. 2. I. abra fig. 2 рис. 2
USING THE DEVICE MOD DE UTILIZARE
СПОСОБ УЗЫТКОВАНИЯ НАЧИН НА ИЗПОЛЗВАНИЕ

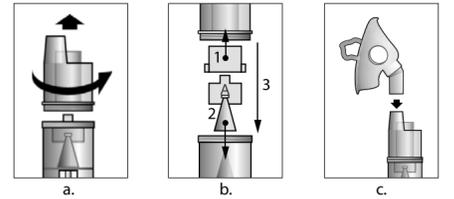
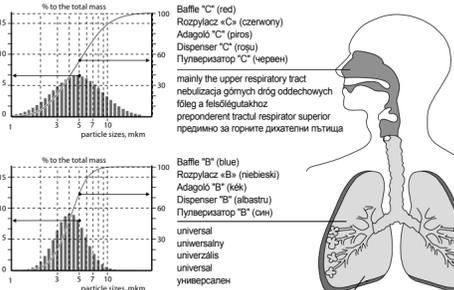


fig.3 rys. 3. I. abra fig. 3 рис. 3
Depending on the type of baffle, the particles of different sizes are distributed aerosols as follows:

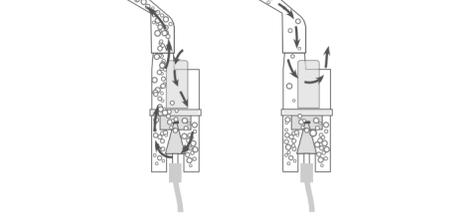
W zależności od rodzaju używanego rozpylacza, aerozol o różnej wielkości cząstek rozprowadzany jest w następujący sposób:
Az adagoló típusától függően, a különböző méretű részecskék aeroszol eloszlása a következőző:
În dependentă de tipul dispersorului utilizat, particulele de diverse dimensiuni se distribuie în aerosol în felul următor:
В зависимости от типа пульверизатора, избран от Вас, частиците с различен размер се разпределят в аеросола по следния начин:



Baffle 'C' (red) Rozpylacz «C» (czerwony) Adagoló 'C' (piros) Disperser 'C' (roșu) Пулверизатор 'C' (красный) mainly the upper respiratory tract nebulizacja górnych dróg oddechowych főleg a felső légutakhoz propoandent tractul respirator superior predominantно за горните дишацител пътища

Baffle 'B' (blue) Rozpylacz «B» (niebieski) Adagoló 'B' (kék) Disperser 'B' (albastru) Пулверизатор 'B' (синий) universal universal universal universal mainly the lower respiratory tract nebulizacja dolnych dróg oddechowych főleg az alsó légutakhoz propoandent tractul respirator inferior predominantно за долните дишацител пътища

fig.4 rys. 4. I. abra fig. 4 рис. 4
Breath-actuated nebulizer. EFECTUAREA PROCEDURII DE INHALARE.
Nebulizator aktivowany wdechem. НЕБУЛИЗАТЪР АКТИВИРАЩ СЕ СЪ ДИШАНИЕ.
Lélegzet-aktivált inhalátor.



EN CARE AND DISPOSAL

- Regularly clean the device and all accessories. It is recommended that all the accessories should be wiped with a 3% solution of hydrogen peroxide...
Regularly check the filter for dirt and replace it when needed. FILTER REPLACEMENT IS RECOMMENDED AT LEAST ONCE A YEAR.
Repair the Device only in authorized organizations.

- Preparation for inhalation. IMPORTANT: Before using the appliance for the first time it is necessary to make a full cleaning, as described in last paragraph «SAFETY INFORMATION».
Place the inhaler in front of you on the table. Make sure the device is turned off (power switch is in position «0»), and the power cord is not plugged into the mains.

NEBULIZER THERAPY – WHAT IS IT?
Nebulizer is a device for formation and spraying of aerosol. The word "nebulizer" is derived from the Latin word "nebula" (fog, cloud) and was first used in 1874 for a device that turns a liquid substance into an aerosol for medicinal purposes.

GENERAL INFORMATION
Compressor Nebulizer LD is designed for treating the diseases of respiratory passages and lungs by medicine solution aerosols in clinic and at home.

IMPORTANT! Each patient is encouraged to use personal mouthpiece, a mask and/ or nozzle for the nose.
Connect one end of the inhalation tube to the fitting of compressor, and others - to the fitting of nebulizer.
NEBULIZER IS READY FOR INHALATION.

SAFETY INFORMATION
To assure the correct use of the product, basic safety measures should always be followed including the warnings and cautions listed in this instruction manual.

- For regime of medication shall follow the instructions of your physician or licensed healthcare practitioner.
Do not cover the compressor with a blanket, towel, or any other type of cover during using.
Do not use the device where the device may be exposed to flammable gas or vapors.

WARNING
Do not leave the device or its parts during when it will be exposed to extreme temperatures or changes in humidity, such as leaving the device in a vehicle during warm or hot months, or where it will be exposed to direct sunlight.
Limit the use of the device to 20 minutes at a time, and wait 40 minutes before using the device again.

TECHNICAL SPECIFICATIONS
Model LD-211C
Type Compressor Nebulizer
Rating AC 230V, 50Hz
Power consumption 190VA
Extreme Pressure 210kPa–400kPa

PROTECTION CLASS II
Protection class II
BF type product
Storage/operation temperature, humidity and atmospheric pressure limitation
Manufacturer
Serial number

REVISION DATA OF THE PRESENT MANUAL
The warranty is contained in the warranty card given at the sale of this device to a purchaser. The warranty does not apply to the consumables (masks, mouthpieces, inhalation tubes etc.)

MAINTENANCE AND STORAGE
Keep the device out of the reach of unperervised infants and children. The device may contain small parts that can be swallowed.

- Store the device and the components in a clean, safe location.
Do not carry or leave the nebulizer with medication in the medication tank.
Do not place or attempt to dry the device, components or any of the nebulizer parts in a microwave oven.

Table with columns SERVICE AND MAINTENANCE and RESPONSIBLE. Rows include: Change the inhalation tube (Operator), Change the applied part (Operator), Change the air filter (Operator), Clean the surface of the device (Operator), Daily cleaning and disinfecting (Operator), All components which need to be repaired or changed by separating the device (Authorized service center of distributor or manufacturer).

- Regularly clean the device and all accessories. It is recommended that all the accessories should be wiped with a 3% solution of hydrogen peroxide...
Regularly check the filter for dirt and replace it when needed. FILTER REPLACEMENT IS RECOMMENDED AT LEAST ONCE A YEAR.
Repair the Device only in authorized organizations.

Preparation for inhalation. IMPORTANT: Before using the appliance for the first time it is necessary to make a full cleaning, as described in last paragraph «SAFETY INFORMATION».

- Place the inhaler in front of you on the table. Make sure the device is turned off (power switch is in position «0»), and the power cord is not plugged into the mains.
Remove the top of the nebulizer by turning it counterclockwise (Fig.2.a).
Set the desired baffle.

NEBULIZER THERAPY – WHAT IS IT?
Nebulizer is a device for formation and spraying of aerosol. The word "nebulizer" is derived from the Latin word "nebula" (fog, cloud) and was first used in 1874 for a device that turns a liquid substance into an aerosol for medicinal purposes.

GENERAL INFORMATION
Compressor Nebulizer LD is designed for treating the diseases of respiratory passages and lungs by medicine solution aerosols in clinic and at home.

- For regime of medication shall follow the instructions of your physician or licensed healthcare practitioner.
Do not cover the compressor with a blanket, towel, or any other type of cover during using.
Do not use the device where the device may be exposed to flammable gas or vapors.

WARNING
Do not leave the device or its parts during when it will be exposed to extreme temperatures or changes in humidity, such as leaving the device in a vehicle during warm or hot months, or where it will be exposed to direct sunlight.
Limit the use of the device to 20 minutes at a time, and wait 40 minutes before using the device again.

TECHNICAL SPECIFICATIONS
Model LD-211C
Type Compressor Nebulizer
Rating AC 230V, 50Hz
Power consumption 190VA
Extreme Pressure 210kPa–400kPa

PROTECTION CLASS II
Protection class II
BF type product
Storage/operation temperature, humidity and atmospheric pressure limitation
Manufacturer
Serial number

REVISION DATA OF THE PRESENT MANUAL
The warranty is contained in the warranty card given at the sale of this device to a purchaser. The warranty does not apply to the consumables (masks, mouthpieces, inhalation tubes etc.)

MAINTENANCE AND STORAGE
Keep the device out of the reach of unperervised infants and children. The device may contain small parts that can be swallowed.

- Store the device and the components in a clean, safe location.
Do not carry or leave the nebulizer with medication in the medication tank.
Do not place or attempt to dry the device, components or any of the nebulizer parts in a microwave oven.

Table with columns SERVICE AND MAINTENANCE and RESPONSIBLE. Rows include: Change the inhalation tube (Operator), Change the applied part (Operator), Change the air filter (Operator), Clean the surface of the device (Operator), Daily cleaning and disinfecting (Operator), All components which need to be repaired or changed by separating the device (Authorized service center of distributor or manufacturer).

PL PODSTAWOWE CZĘŚCI I KOMPONENTY (rys. 1)

- 1 PRZYCSYK WŁĄCZ/WYŁĄCZ.
2 UCHWYTY KĄTOWY NA NEBULIZATOR
3 GNIAZDO KOMPRESORA.
4 KOMPRESOR.
5 KOMORA-SZCZOWKA NA KABEL ZASILAJĄCY

NEBULIZER THERAPY – WHAT IS IT?
Nebulizer is a device for formation and spraying of aerosol. The word "nebulizer" is derived from the Latin word "nebula" (fog, cloud) and was first used in 1874 for a device that turns a liquid substance into an aerosol for medicinal purposes.

GENERAL INFORMATION
Compressor Nebulizer LD is designed for treating the diseases of respiratory passages and lungs by medicine solution aerosols in clinic and at home.

- For regime of medication shall follow the instructions of your physician or licensed healthcare practitioner.
Do not cover the compressor with a blanket, towel, or any other type of cover during using.
Do not use the device where the device may be exposed to flammable gas or vapors.

WARNING
Do not leave the device or its parts during when it will be exposed to extreme temperatures or changes in humidity, such as leaving the device in a vehicle during warm or hot months, or where it will be exposed to direct sunlight.
Limit the use of the device to 20 minutes at a time, and wait 40 minutes before using the device again.

TECHNICAL SPECIFICATIONS
Model LD-211C
Type Compressor Nebulizer
Rating AC 230V, 50Hz
Power consumption 190VA
Extreme Pressure 210kPa–400kPa

PROTECTION CLASS II
Protection class II
BF type product
Storage/operation temperature, humidity and atmospheric pressure limitation
Manufacturer
Serial number

REVISION DATA OF THE PRESENT MANUAL
The warranty is contained in the warranty card given at the sale of this device to a purchaser. The warranty does not apply to the consumables (masks, mouthpieces, inhalation tubes etc.)

MAINTENANCE AND STORAGE
Keep the device out of the reach of unperervised infants and children. The device may contain small parts that can be swallowed.

- Store the device and the components in a clean, safe location.
Do not carry or leave the nebulizer with medication in the medication tank.
Do not place or attempt to dry the device, components or any of the nebulizer parts in a microwave oven.

Table with columns SERVICE AND MAINTENANCE and RESPONSIBLE. Rows include: Change the inhalation tube (Operator), Change the applied part (Operator), Change the air filter (Operator), Clean the surface of the device (Operator), Daily cleaning and disinfecting (Operator), All components which need to be repaired or changed by separating the device (Authorized service center of distributor or manufacturer).

HU ALKATRÉSZEK MEGNEVEZÉSE (1. abra)

- 1 ELEKTROMOS KAPCSOLÓ.
2 SZÜGORTŐZŐ AZ INHALÁTORHOZ.
3 KOMPRESSZOR CSATLAKOZÓ.
4 KOMPRESSZOR.
5 A TÁPKÁBEL REKESZÉSE.

NEBULIZER THERAPY – WHAT IS IT?
Nebulizer is a device for formation and spraying of aerosol. The word "nebulizer" is derived from the Latin word "nebula" (fog, cloud) and was first used in 1874 for a device that turns a liquid substance into an aerosol for medicinal purposes.

GENERAL INFORMATION
Compressor Nebulizer LD is designed for treating the diseases of respiratory passages and lungs by medicine solution aerosols in clinic and at home.

- For regime of medication shall follow the instructions of your physician or licensed healthcare practitioner.
Do not cover the compressor with a blanket, towel, or any other type of cover during using.
Do not use the device where the device may be exposed to flammable gas or vapors.

WARNING
Do not leave the device or its parts during when it will be exposed to extreme temperatures or changes in humidity, such as leaving the device in a vehicle during warm or hot months, or where it will be exposed to direct sunlight.
Limit the use of the device to 20 minutes at a time, and wait 40 minutes before using the device again.

TECHNICAL SPECIFICATIONS
Model LD-211C
Type Compressor Nebulizer
Rating AC 230V, 50Hz
Power consumption 190VA
Extreme Pressure 210kPa–400kPa

PROTECTION CLASS II
Protection class II
BF type product
Storage/operation temperature, humidity and atmospheric pressure limitation
Manufacturer
Serial number

REVISION DATA OF THE PRESENT MANUAL
The warranty is contained in the warranty card given at the sale of this device to a purchaser. The warranty does not apply to the consumables (masks, mouthpieces, inhalation tubes etc.)

MAINTENANCE AND STORAGE
Keep the device out of the reach of unperervised infants and children. The device may contain small parts that can be swallowed.

- Store the device and the components in a clean, safe location.
Do not carry or leave the nebulizer with medication in the medication tank.
Do not place or attempt to dry the device, components or any of the nebulizer parts in a microwave oven.

Table with columns SERVICE AND MAINTENANCE and RESPONSIBLE. Rows include: Change the inhalation tube (Operator), Change the applied part (Operator), Change the air filter (Operator), Clean the surface of the device (Operator), Daily cleaning and disinfecting (Operator), All components which need to be repaired or changed by separating the device (Authorized service center of distributor or manufacturer).

EN ALKATRÉSZEK MEGNEVEZÉSE (1. abra)

- 1 ELEKTROMOS KAPCSOLÓ.
2 SZÜGORTŐZŐ AZ INHALÁTORHOZ.
3 KOMPRESSZOR CSATLAKOZÓ.
4 KOMPRESSZOR.
5 A TÁPKÁBEL REKESZÉSE.

NEBULIZER THERAPY – WHAT IS IT?
Nebulizer is a device for formation and spraying of aerosol. The word "nebulizer" is derived from the Latin word "nebula" (fog, cloud) and was first used in 1874 for a device that turns a liquid substance into an aerosol for medicinal purposes.

GENERAL INFORMATION
Compressor Nebulizer LD is designed for treating the diseases of respiratory passages and lungs by medicine solution aerosols in clinic and at home.

- For regime of medication shall follow the instructions of your physician or licensed healthcare practitioner.
Do not cover the compressor with a blanket, towel, or any other type of cover during using.
Do not use the device where the device may be exposed to flammable gas or vapors.

WARNING
Do not leave the device or its parts during when it will be exposed to extreme temperatures or changes in humidity, such as leaving the device in a vehicle during warm or hot months, or where it will be exposed to direct sunlight.
Limit the use of the device to 20 minutes at a time, and wait 40 minutes before using the device again.

TECHNICAL SPECIFICATIONS
Model LD-211C
Type Compressor Nebulizer
Rating AC 230V, 50Hz
Power consumption 190VA
Extreme Pressure 210kPa–400kPa

PROTECTION CLASS II
Protection class II
BF type product
Storage/operation temperature, humidity and atmospheric pressure limitation
Manufacturer
Serial number

REVISION DATA OF THE PRESENT MANUAL
The warranty is contained in the warranty card given at the sale of this device to a purchaser. The warranty does not apply to the consumables (masks, mouthpieces, inhalation tubes etc.)

MAINTENANCE AND STORAGE
Keep the device out of the reach of unperervised infants and children. The device may contain small parts that can be swallowed.

- Store the device and the components in a clean, safe location.
Do not carry or leave the nebulizer with medication in the medication tank.
Do not place or attempt to dry the device, components or any of the nebulizer parts in a microwave oven.

Table with columns SERVICE AND MAINTENANCE and RESPONSIBLE. Rows include: Change the inhalation tube (Operator), Change the applied part (Operator), Change the air filter (Operator), Clean the surface of the device (Operator), Daily cleaning and disinfecting (Operator), All components which need to be repaired or changed by separating the device (Authorized service center of distributor or manufacturer).

\* - Zmierzono przez firmę Little Doctor International (S) Pte. Ltd.

